

MOEN®

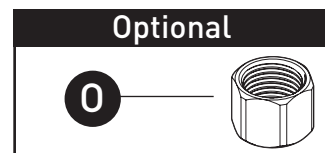
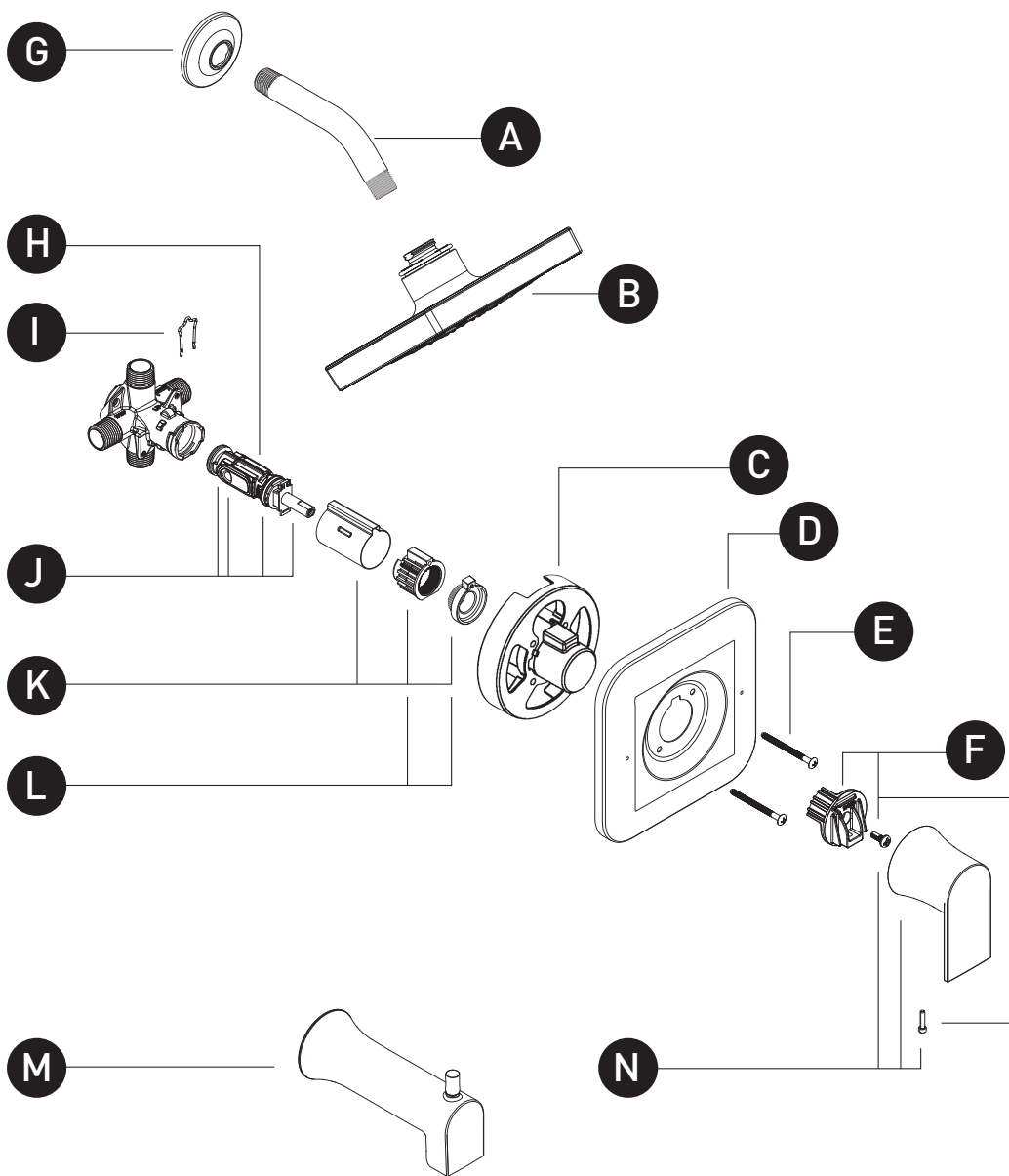
ORDER BY PART NUMBER

Illustrated Parts

GENTA™

Single-Handle Tub/Shower Valve

MODEL	TYPE	FINISH
82760	Tub/Shower	Chrome
82760SRN	Tub/Shower	Spot Resist Brushed Nickel
82760BL	Tub/Shower	Matte Black
82760BZG	Tub/Shower	Bronzed Gold



ORDER BY PART NUMBER

ID	Kit Description	Kit Number	Finish
A	Shower Arm	10154	Chrome
		10154SRN	Spot Resist Brushed Nickel
		10154BL	Matte Black
		10154BZG	Bronzed Gold
B	Showerhead	187096	Chrome
		187096SRN	Spot Resist Brushed Nickel
		187096BL	Matte Black
		187096BZG	Bronzed Gold
C	Plasterground	12574	NA
D	Escutcheon Kit	176628	Chrome
		176628SRN	Spot Resist Brushed Nickel
		176628BL	Matte Black
		176628BZG	Bronzed Gold
E	Escutcheon Screws	15528	Chrome
		163BN	(Use for Spot Resist Brushed Nickel)
		163WR	(Use for Matte Black)
		163BZG	Bronzed Gold
F	Handle Adapter Kit	116653	NA
G	Flange Kit	137488	Chrome
		137488SRN	Spot Resist Brushed Nickel
		137488BL	Matte Black
		137488BZG	Bronzed Gold
H	Replacement Cartridge	1222	NA
I	Retainer Clip	96914	NA
J	Cartridge Repair Kit (Contains grommets grease pack, and all necessary O-Rings)	96988	NA
K	Stop Tube Kit	96987	(Use for Chrome & Spot Resist Brushed Nickel)
		96987WR	(Use for Matte Black)
		96987BZG	Bronzed Gold
L	Temperature Limit Stop Kit	106479	NA
M	Diverter Tub Spout	187097	Chrome
		187097SRN	Spot Resist Brushed Nickel
		187097BL	Matte Black
		187097BZG	Bronzed Gold
N	Handle Kit	183810	Chrome
		183810SRN	Spot Resist Brushed Nickel
		183810BL	Matte Black
		183810BZG	Bronzed Gold
O	Valve Cap	188411	NA